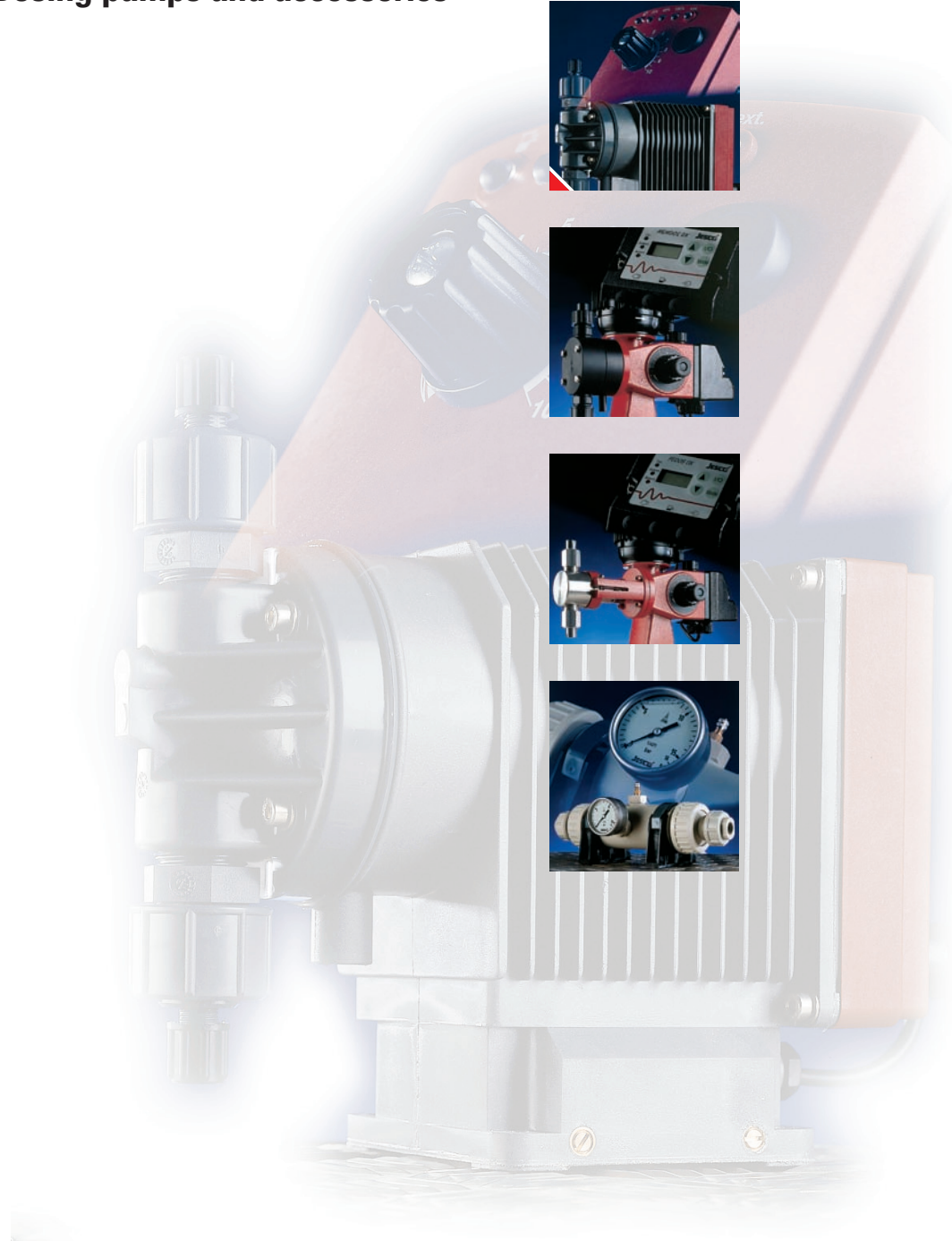
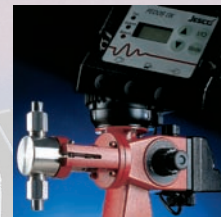


A measured step forward

Dosing pumps and accessories



And what can we do for you?

Drop by drop or with maximum capacity, at tropical temperatures and even this possibly in a really “caustic” environment: The demands on dosing pumps being as variable as the application as the possibilities and tasks themselves, Lutz-Jesco offers individual solutions for each field of application. The extensive product program ranges from the low-cost precisely operating **solenoid-driven dosing pump** to the “heavy-duty” **motor-driven diaphragm dosing pump**, and last but not least, to the **piston dosing pump** for high pressures up to 200 bar. All of them dosing liquids of differing viscosities, mostly chemically aggressive and toxic, sometimes even abrasive or effervescent.

Thought out to the last detail: The accessories program of Lutz-Jesco

Even the best dosing pump can still be improved – namely by the right technical periphery, which, in fact, is the reason for the particularly extensive **accessories program** of Lutz-Jesco. It converts your dosing pump into an efficient dosing system. Should you have any additional requests: We always find a solution.

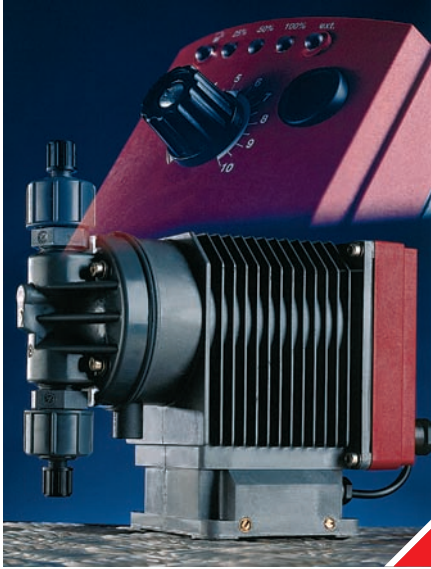


Lutz-Jesco dosing pumps

A comprehensive range

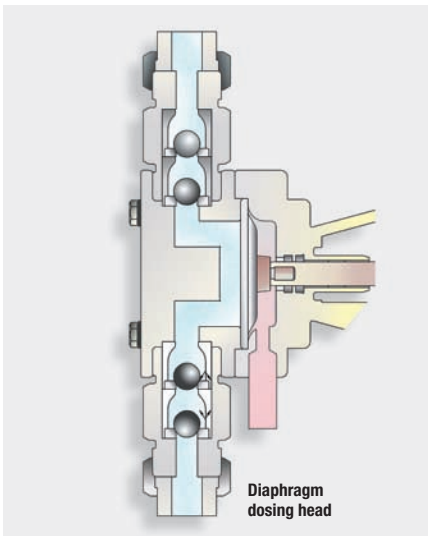


Diaphragm dosing pumps



Diaphragm dosing pumps

are leakage-free and especially suitable for high corrosive or toxic media. Depending on the gear type, the diaphragm can be used at pressures of up to 16 bar. As a standard, diaphragm dosing pumps are fitted with a separation chamber, which in the event of a diaphragm failure due to wear, prevents the medium from flooding the pump itself or other system components. Leakage is routed through an outlet pipe to a collection tank. The diaphragms are PTFE-Elastomer compounds, on the medium side. The largest diaphragm pump, type GMR, has a hydraulically actuated double-diaphragm system.

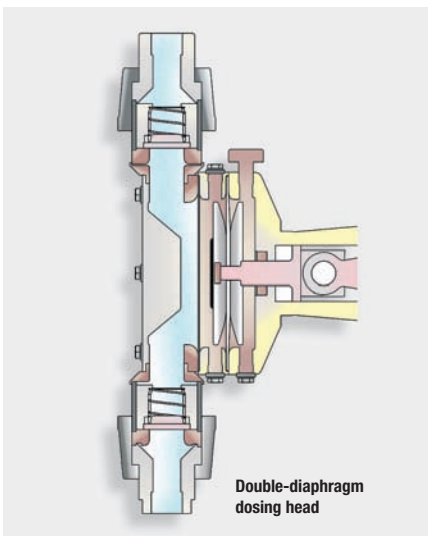


Solenoid-driven diaphragm dosing pumps

are fitted with a powerful solenoid drive. The flow rate per stroke is infinitely variable.

In short

- Capacity range 0.1 to 115 l/h, at up to 16 bar
- Simple but long-lived design
- Suitable for aggressive and toxic media
- Usable at ambient temperatures of up to 45 °C
- Internal stroke rate adjustment and external pacing
- Double-ball check valves for highest accuracy
- Intelligent control

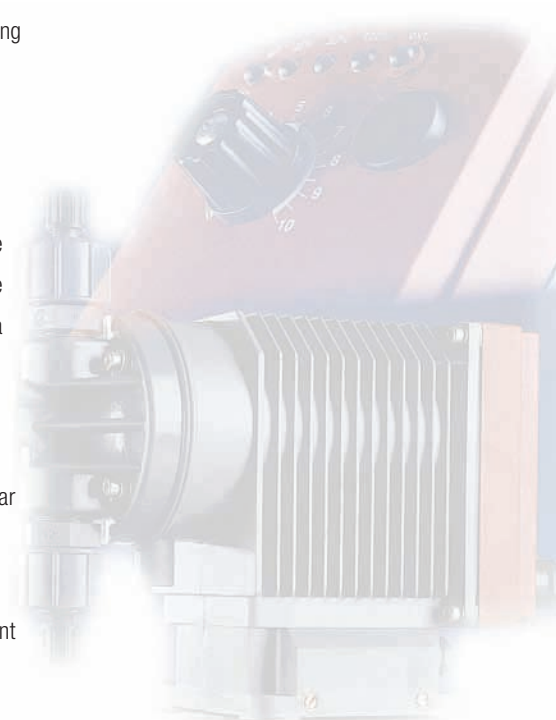


Motor-driven diaphragm dosing pumps

have a tappet drive with a continuously adjustable stroke length from 0 to 100%. MEMDOS GMR have a crankshaft assembly.

In short

- Capacity range 3 to 4,000 l/h, at up to 10 bar
- Viscosities up to 3,000 mPa*s
- PTFE diaphragm
- Tappet drive
- Manual and automatic servo capacity adjustment
- Wide range of materials
- Double-diaphragm system optional



Solenoid-driven diaphragm dosing pumps

MAGDOS LT, MAGDOS DE/DX

Pump model	Flow rate at max. back pressure			Stroke rate strokes/min	Diaphragm Ø mm	Suction lift m wc	Weight approx. kg
	bar	l/h	ml/stroke				
MAGDOS LT							
LT 02	12	0.14	0.03	80	32	3.0	2.7
LT 06	16	0.48	0.1	80	32	3.0	2.7
LT 1	16	0.9	0.19	80	32	3.0	2.7
LT 3	16	1.6	0.33	80	32	3.0	2.7
LT 4	12	3.3	0.69	80	32	3.0	2.7
LT 6	10	5.2	0.72	120	32	3.0	2.7
LT 10	8	7.9	1.1	120	38	2.0	2.7
LT 17	3	13.5	1.88	120	52	1.2	2.7



Pump model	Electrical data				
	Supply 1~	Current	Power	Protection class	Insulation class
MAGDOS LT					
LT 02...LT 17	230 V, 50/60 Hz	2.9 A	30 W	IP 65	F

- Stroke length adjustable 0...100%
- Stroke rate adjustment 25, 50, 100%
- External pacing with the same maximum stroke rate (e.g. water meter contacts)
- Connection for low level control
- CSA-certificate pumps for 115 V~ optional
- 24 V DC optional



Pump model	Flow rate at max. back pressure			Stroke rate strokes/min	Diaphragm Ø mm	Suction lift m wc	Weight approx. kg
	bar	l/h	ml/stroke				
MAGDOS DE / DX							
DE / DX 01	10.0	0.1	0.016	100	20	3.0	2.9
DE / DX 03	6.0	0.46	0.077	100	32	3.0	2.9
DE / DX 07	10.0	0.72	0.12	100	32	3.0	2.9
DE / DX 2	10.0	1.86	0.31	100	32	3.0	2.9
DE / DX 4	10.0	3.9	0.65	100	32	3.0	2.9
DE / DX 8	10.0	6.0	1.0	100	38	2.0	2.9
DE / DX 12	4.0	12.0	2.0	100	52	1.2	2.9
DE / DX 20	10.0	20.2	4.8	70	64	1.2	10.5
DE / DX 40	4.0	50.4	12.0	70	90	1.2	12.5
DE / DX 100	1.5	115.0	27.5	70	120	1.2	12.5



Pump model	Electrical data				
	Supply 1~	Current	Power	Protection class	Insulation class
MAGDOS DE / DX					
DE / DX 01...2	230 V, 50/60 Hz	1.5 A	21 W	IP 65	F
DE / DX 4...12	230 V, 50/60 Hz	2.3 A	30 W	IP 65	F
DE / DX 20...100	230 V, 50/60 Hz	4.1 A	70 W	IP 65	F

- Stroke length adjustable 0...100%
- Stroke length adjustable:
DE / DX 01...12 at up to 0...100/min.
DE / DX 20...100 at up to 0...70/min.
- Changeover function to external pacing (e.g. water meter contacts)
DE / DX 01...12 at up to 100 strokes/min.
DE / DX 20...100 at up to 70 strokes/min.
- Connection for level control with alert alarm
- Pulse and level input physically separated
- With MAGDOS DX, pulse multiplication and division at ratios of 1, 2, 4, 8, 16, 32, 64 and changeover function to external pacing by 0(4)...20mA
- As an option, both versions are available with warning alarm relay and digital display
- CSA-certificate pumps for 115 V~ optional
- DE / DX 2 also available for 16 bar



Motor-driven diaphragm dosing pump

MINIDOS A, MEMDOS E / DX



Pump model MINIDOS A	Flow rate at max. back pressure			Stroke rate strokes/min	Diaphragm Ø mm	Suction lift m wc	Weight approx. kg
	bar	l/h	ml/stroke				
A 3	10	3.2	1.5	36	38	1.2	4.4
A 5	10	6.4	1.5	72	38	1.2	4.4
A 8	10	8.0	1.5	90	38	1.2	4.4
A 14	10	14.0	2.6	90	52	1.2	4.4
A 24	10	24.0	2.6	138	52	1.2	4.4
A 40	5	39.0	4.7	138	64	1.2	4.7

Pump model MINIDOS A	Electrical data				
	Supply 3~	Power	Speed	Protection class	Insulation class
A 3, 8, 14	230/400 V, 50 Hz	0.03 kW	1,420 min ⁻¹	IP 55	F
A 5, 24, 40	230/400 V, 50 Hz	0.05 kW	2,880 min ⁻¹	IP 55	F

- Other voltages optional (also single phase)
- Cost-efficient
- Pump is lubricated for long service life
- Compact design



upon request

Pump model MEMDOS E / DX	Flow rate at max. back pressure			Stroke rate ml/stroke	Diaphragm Ø mm	Suction lift m wc	Weight approx. kg
	bar	l/h (50 Hz)	l/h (60 Hz)				
E / DX 4	10	4.0	4.8	2.6	26	9.0	E 7.4 / DX 8.0
E / DX 8	10	7.5	9.0	2.6	48	9.0	E 7.4 / DX 8.0
E / DX 15	10	15.0	18.0	2.6	95	9.0	E 7.4 / DX 8.0
E / DX 25/26*	10	23.0	23.0	2.6	142	9.0	E 7.4 / DX 8.0
E / DX 50	10	48.0	57.6	8.5	95	8.0	E 9.6 / DX 9.2
E / DX 75/76*	10	72.0	72.0	8.5	142	8.0	E 9.6 / DX 9.2
E / DX 110	5	107.0	128.4	19.0	95	7.0	E 10.2 / DX 9.2
E / DX 150/156*	4	160.0	160.0	19.0	142	7.0	E 10.2 / DX 9.2
E / DX 160	10	156.0	187.2	36.5	71	6.0	E 18.0 / DX 18.2
E / DX 200	10	208.0	249.6	36.5	95	6.0	E 18.0 / DX 22.0
E / DX 260	10	263.0	-	36.5	120	6.0	E 18.0 / DX 22.0
E / DX 300	8	292.0	350.4	51.2	95	4.4	E 19.0 / DX 26.0
E / DX 380	6	393.0	-	54.5	120	4.5	E 19.0 / DX 26.0

Pump model MEMDOS E / DX	Electrical data				
	Supply	Power	Speed	Protection class	Insulation class
E 4...50	3~ 230/400 V, 50 Hz	0.05 kW	1,420 min ⁻¹	IP 55	F
E 75...150	3~ 230/400 V, 50 Hz	0.25 kW	1,420 min ⁻¹	IP 55	F
E 160...380	3~ 230/400 V, 50 Hz	0.37 kW	1,420 min ⁻¹	IP 55	F
DX 4...25	1~ 230 V, 50 Hz	0.05 kW	1,420 min ⁻¹	IP 55	F
DX 50...150	1~ 230 V, 50 Hz	0.12 kW	1,420 min ⁻¹	IP 55	F
DX 160...380	1~ 230 V, 50 Hz	0.37 kW	1,420 min ⁻¹	IP 55	F

* 60 Hz version

- CSA-certificate pumps for 115 V~ optional
- Other motor types upon request



Motor-driven diaphragm dosing pump

MEMDOS MR, MEMDOS GMR

Pump model	Flow rate at max. back pressure			Stroke rate strokes/min	Diaphragm Ø mm	Suction lift m wc	Weight approx. kg
	bar	l/h	ml/stroke				
MEMDOS MR							
MR 400	5	440	165	47	185	2.0	38
MR 600	6	620	165	70	185	2.0	38
MR 980	4	990	165	101	185	2.0	38

Pump model	Electrical data					
	Supply 3~	Power	Speed	Protection class	Insulation class	
MEMDOS MR						
MR 400...980	230/400 V, 50 Hz	0.55 kW (*0.75 kW)	1,410 min ⁻¹	IP 55	F	

• Other motor types optional

* In case of frequency inverter operation and as standard for MR 600 and 980



upon request

Drive by infinitely variable speed transmission gear

Direct motor drive by 3-phase motor or D.C. motor at 2,850 min⁻¹

Pump model	Flow rate at max. back pressure			Flow rate at max. back pressure			Suction lift m wc	Weight approx. kg
	bar	l/h	Stroke frequency min ⁻¹	bar	l/h	*Stroke frequency min ⁻¹		
MEMDOS GMR								
GMR 2000	4	350...2,100	11...72	4	1,850	58	1.2	145
GMR 3000	3	530...3,150	11...72	3	2,750	58	1.2	165
GMR 4000	2	700...4,200	11...72	2	3,800	58	1.2	165

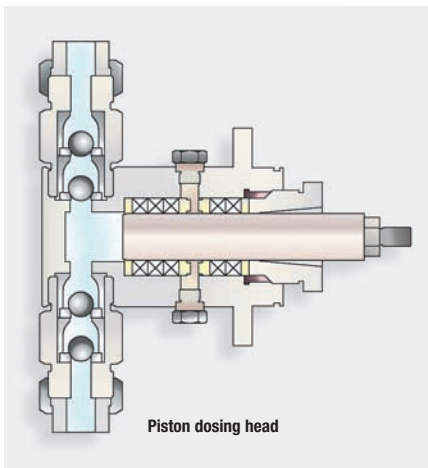
Pump model	Electrical data					
	Supply 3~	Power	Speed	Protection class	Insulation class	
MEMDOS GMR						
GMR 2000...4000	230/400 V, 50 Hz	2.2 kW	1,410 or 2,850 min ⁻¹	IP 55	F	

* In order to achieve a higher or lower output, thyristor controllers can be used for D.C. motors and frequency inverters for 3-phase motors

• Other motor types upon request



Piston dosing pumps



Piston dosing pumps

are especially precise dosing devices and relatively independent of the back pressure. The dosing capacity changes in proportion to the stroke length and can be reproduced, even if very small quantities are required. Therefore double or multiple-head piston pumps are particularly suitable for precise mixing of different components (media) at a freely settable, constant ratio. By using external paced motor speed the pump capacity can be varied infinitely between 5 and 100 % while the ratio remains constant. Heated heads avoid solidifying difficult media. To prevent media leaks and to protect the packings and pistons against abrasive media, flushing lanterns are integrated (except FEDOS E/DX).

In short

- Capacity range 0.1 to 4,200 l/h, at up to 200 bar
- Tappet drive with easy-to-operate capacity adjustment (FEDOS, REKOS)
- KARDOS with linear amplitude adjustment
- Reliable and proven hydraulic part
- Ceramic and stainless steel piston
- Flushing lantern as standard equipment
- Also suitable for frequency converter operation
- Intelligence due to different operating modes
- Easy and intuitive to operate



Piston dosing pumps

FEDOS E / DX, REKOS KR

Pump model	Flow rate at max. back pressure			Stroke rate ml/stroke	Piston strokes/min	Suction lift Ø mm	Weight m wc	Weight approx. kg
	*bar	l/h (50 Hz)	l/h (60 Hz)					
FEDOS E / DX								
E / DX 01**	100	0.17	0.20	0.11	26	4	8	11
E / DX 03**	100	0.31	0.37	0.11	48	4	8	11
E / DX 06**	100	0.63	0.76	0.11	95	4	8	11
E / DX 1	100	1.42	1.70	0.25	95	6	8	11
E / DX 2	100	2.13	2.13	0.25	142	6	8	16
E / DX 5	100	4.8	4.8	0.56	142	9	8	16
E / DX 8	80	8.5	8.5	1.0	142	12	8	16
E / DX 17	40	17.0	17.0	2.0	142	17	8	16
E / DX 30	25	31.5	31.5	3.7	142	23	8	16



upon request

Pump mode	Electrical data				
	Supply	Power	Speed	Protection class	Insulation class
FEDOS E / DX					
E 01...2	3~ 230/400 V, 50 Hz	0.05 kW	1,420 min ⁻¹	IP 55	F
E 5...30	3~ 230/400 V, 50 Hz	0.25 kW	1,420 min ⁻¹	IP 55	F
DX 01...30	1~ 230 V, 50 Hz	0.12 kW	1,420 min ⁻¹	IP 55	F

* Standard packings max. pressure 40 bar

** Optional up to 200 bar

Pump model	Flow rate at max. back pressure			Stroke rate strokes/min	Piston Ø mm	Suction lift m wc	Weight approx. kg
	*bar	l/h	ml/stroke				
REKOS KR							
KR 8	200	9.0	1.5	100	8	1.2	32
KR 20	190	20.0	3.4	100	12	1.2	32
KR 30	130	31.0	5.3	100	15	1.2	32
KR 40	95	40.0	6.8	100	17	1.2	32
KR 75	50	75.0	12.5	100	23	1.2	32
KR 125	30	125.0	21.2	100	30	1.2	36
KR 180	20	180.0	30.5	100	36	1.2	36
KR 295	12	295.0	50.0	100	46	1.2	36
KR 420	10	420.0	71.3	100	55	1.2	36
KR 725	5	725.0	122.0	100	72	1.2	42



Pump model	Electrical data				
	Supply 3~	Power	Speed	Protection class	Insulation class
REKOS KR					
KR 8...725	230/400 V, 50 Hz	0.55 kW, (**0.75 kW)	1,410 min ⁻¹	IP 55	F

* Standard packings max. pressure 40 bar

• Other motor types upon request

** For frequency inverter operation

Piston dosing pumps

KARDOS KN / KARDOS N



Pump model		Flow rate at max. back pressure			Stroke rate	Piston	Suction lift	Weight
KARDOS KN		*bar	l/h	ml/stroke	strokes/min	Ø mm	m wc	approx. kg
KN	10	400	9.9	1.5	110	8	1.2	52
KN	23	250	22.0	3.4	110	12	1.2	52
KN	35	160	35.0	5.3	110	15	1.2	52
KN	45	125	45.0	6.8	110	17	1.2	52
KN	85	65	82.0	12.5	110	23	1.2	52
KN	150	40	140.0	21.2	110	30	1.2	56
KN	210	25	200.0	30.5	110	36	1.2	56
KN	350	16	325.0	50.0	110	46	1.2	56
KN	500	11	465.0	71.3	110	55	1.2	56

Pump model	Electrical data					
KARDOS KN	Supply 3~	Power	Speed	Protection class	Insulation class	
KN 10...500	230/400 V, 50 Hz	0.55 kW, 0.75 kW, **1.1 kW	1,410 min ⁻¹	IP 55	F	

- * Standard packings max. pressure 40 bar
- ** Depending on back pressure

- Other motor types upon request
- Multiple-head pumps optional



Pump model		Flow rate at max. back pressure			Stroke rate	Piston	Suction lift	Weight
KARDOS N		*bar	l/h	ml/stroke	strokes/min	Ø mm	m wc	approx. kg
N	16	400	15	2.5	97	8	1.2	102
N	56	325	53	8.8	97	15	1.2	102
N	130	130	125	20.7	97	23	1.2	113
N	320	52	306	51.0	97	36	1.2	113
N	750	24	715	119.0	97	55	1.2	131
N	1300	13	1,225	204.0	97	72	1.2	135
N	2500	6.5	2,400	392.0	97	100	1.2	143
N	4200	3	4,100	716.0	97	135	1.2	177

Pump model	Electrical data					
KARDOS N	Supply 3~	Power	Speed	Protection class	Insulation class	
N 16...4200	230/400 V, 50 Hz	0.55 kW, 0.75 kW, 1.1 kW, 1.5 kW, **2.2 kW	1,410 min ⁻¹	IP 55	F	

- * Standard packings max. pressure 40 bar
- ** Depending on back pressure

- Other motor types upon request
- Multiple-head pumps optional

Double-diaphragm system

To increase safety against leakage in the case of a diaphragm rupture due to wear and to be able to signalise diaphragm ruptures, hydraulically coupled double-diaphragms can be used (available for sizes from diaphragm diameter 69 mm to 185 mm).

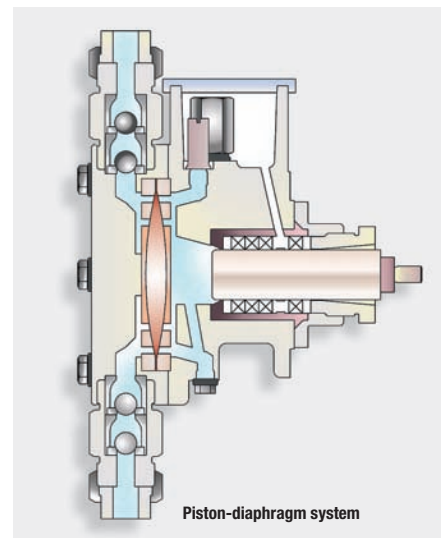
ATE electrical stroke length adjustment

by infinitely adjustable servomotor. With this additional equipment dosing pumps are remotely adjustable, in automatic control systems, closed loops, compound loops.



Piston-diaphragm system

For corrosive and abrasive media, which have to be dosed against higher pressures than 16 bar piston pumps can be fitted with a piston-diaphragm system. The KMS system combines the advantages of leakage-free diaphragm dosing pumps and precise piston dosing pumps and thus ensures reliable dosing.



Accessories



Accessories

Lutz-Jesco stands out for its broad and fully developed product program for dosing liquids, gases and solids. In addition measuring & control equipment and an extensive range of accessories allow the completion of the dosing installations and the integration in existing processes. Compact dosing systems and products made to the customer's specification are also available.

In short

- Available in all standard materials
- Perfectly user-friendly
- Increases the dosing accuracy
- Simplifies the handling
- Improves the working reliability
- For an optimum automation level



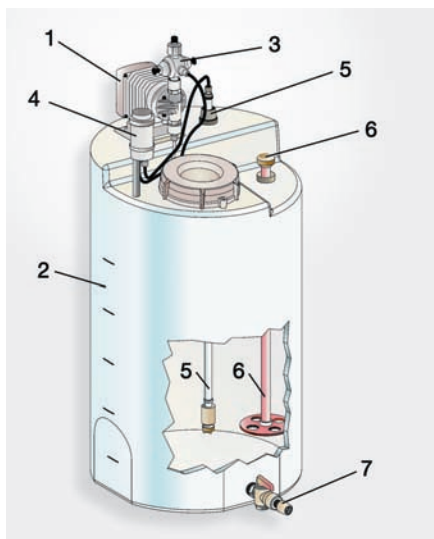
Chemical feed system

Chemical feed systems are especially suitable for dosing:

sodium hypochlorite, flocculants, softeners, cleaning agents, acids, caustics, etc.

Fields of application:

- Water works
- Potable water treatment systems
- Swimming pools
- Feed water systems
- Sewage treatment plants
- Chemical industry
- Process water



A complete chemical feed system consists of:

- Diaphragm or piston dosing pump
- Tank
- Armatures, e.g. hand mixer, back pressure regulating valve, pulsation dampener, injection fitting. The polyethylene tanks are available from 45l to 1,000l.

1. Dosing pump
2. Tank
3. PENTABLOC
4. Priming aid
5. Suction line
6. Hand mixer
7. Drain

Optional water inlet via solenoid valve

Schematic diagram of a typical chemical feed system

Pulsation dampener PDS

The use of PDS inline pulsation dampeners is a simple but effective way to reduce pressure fluctuations to a harmless level so that pump and system are protected. As no T-piece is required to install Lutz-Jesco inline pulsation dampeners, dampening is more effective. The pulsation dampener

can be mounted on the discharge and the suction side. The function is based on the conversion of energy due to compression and expansion of a gas cushion.



Suction controller SDR - safe and precise dosing

The SDR suction controller is a spring-loaded diaphragm valve which is opened by the force of the pump suction pressure. Thus it is ensured that no medium flows if the pump is not working or cannot produce a vacuum because of a line rupture.

The suction controller is mounted on the suction side of dosing pumps and offers a lot of advantages to the user due to its effective design.



Multifunction valve PENTABLOC - compact safety

The accuracy of diaphragm dosing pumps is affected by numerous system conditions. Therefore the PENTABLOC combines all five functions necessary to ensure accurate and safe operation of small

capacity dosing pumps: back pressure, antisiphon, safety relief, pressure relief and dosing monitoring.



Electrical degassing device GAS-EX

Dosing pumps with low flow rates of up to 10 l/h often work imprecisely or must be vented manually if larger amounts of gas or air have entered the dosing head. The GAS-EX degassing device ensures that the pump is automatically vented in easy

selectable intervals. The design has an optimized clearance value so that even small pumps (0.1 l/h) will re-attain full operating pressure right after venting and the flow rate can be maintained.



Accessories



Flow sensor FLOWCON

The FLOWCON flow sensor has been designed especially for applications, where pulsating flow below 50 l/h has to be monitored. Not only the function of the dosing pump itself but also the flow rate is supervised. For electronic evaluation, a PLC

available on site, or an electronic unit developed by Lutz-Jesco for this purpose is used. A failure or loss of capacity of the dosing pump is indicated by a relay contact.



Priming aids ASH and AHP

All brands of dosing pumps with low flow rates per stroke often have difficulties in priming. Priming becomes easy by using Lutz-Jesco priming aids, because the dosing head is supplied directly with liquid. Possibly occurring gas is collected in the

priming aid. The special feature of the AHP priming aid is its integrated pumping device which allows to pump the gas out and refill the reservoir without opening it. Thus spillage of possibly dangerous chemicals is avoided.



Back pressure regulating valve and pressure relief valve (BPRV, PRV) and valve assembly

Depending on the application BPRV/PRV are used to increase the dosing accuracy and to protect the pump and system against excessive pressure. Back pressure regulating valves are required if the dosing pump delivers against a fluctuating system pressure

or into a pressureless system. Pressure relief valves prevent an unadmissibly high pressure increase on the discharge side of the dosing pump (safety valve).



Leakage probe - to keep an eye on leakage

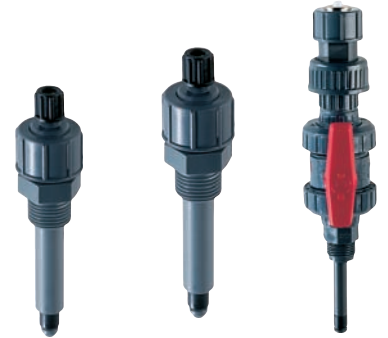
The leakage probe is a control armature and is used for a leakage message at conductive media. In case of a diaphragm rupture the escape medium goes through the probe. To amplify the signal, a level relay is used. If necessary the level relay shuts down

the dosing pump or only a message takes place. The leakage probe can also be retro-fitted on existing pumps.

Injection fittings

Injection fittings are functional armatures which help to inject the chemical delivered by the dosing pumps into the system to be treated. They avoid the backflow from the process pipe into the injection

pipe. They consist of an injection pipe and one or two non-return valve as well as a shutoff valve and/or flange connection, if required.



Suction line, suction line for transport-containers, level control

Suction lines are userfriendly assemblies to connect the suction side of the dosing pump easily to the chemical tank. They are available as flexible and rigid version, the length is adjustable. Sophisticated versions are equipped with integrated level controls

as a protection against dry operation (separate level controls are also available). Special suction lines are available for transport containers.



Electric agitator JR and hand mixer

Agitators are useful armatures in order to mix or dissolve the media to be dosed homogeneously. For example suspensions must be circulated permanently or at least periodically so that distribution of the substance remains homogeneous. For occasional

and simple mixing manually operated mixers are recommended. For essential continuous mixing transaction and automatic operation electric agitators complete the program.



The right solution for professional dosing technology

Dosing pumps Accessories



Chlorination



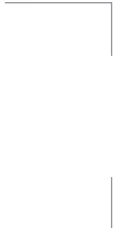
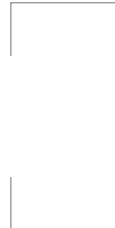
Measuring and control technology



Centrifugal pumps



Represented by:



Head Office
Lutz-Jesco GmbH
Am Bostelberge 19
30900 Wedemark
Germany

Tel.: +49 5130 58020
Fax: +49 5130 580268
E-Mail: info@jesco.de
Internet: www.jesco.de

Hungary
Lutz-Jesco Üzletág
Vasvári P. u. 9.
9024 Győr
Hungary

Tel.: +36 96 523046
Fax: +36 96 523047
E-Mail: s.dudas@lutz-jesco.hu
Internet: www.lutz-jesco.hu

Austria
Lutz-Jesco GmbH
Aredstraße 29/212
2544 Leobersdorf
Austria

Tel.: +43 2256 62180
Fax: +43 2256 6218062
E-Mail: info@lutz-jesco.at
Internet: www.lutz-jesco.at

Netherlands
Lutz-Jesco Nederland B.V.
Nijverheidstraat 14 C
2984 AH Ridderkerk
Netherlands

Tel.: +31 180 499460
Fax: +31 180 497516
E-Mail: info@lutz-jesco.nl
Internet: www.lutz-jesco.nl

Great Britain
Lutz-JESCO (GB) Ltd.
Gateway Estate
West Midlands Freeport
Great Britain

Tel.: +44 121 782 2662
Fax: +44 121 782 2680

E-Mail: summers@jesco.de
Internet: www.jesco.co.uk

USA
Lutz-JESCO America Corp.
55 Bernar Park
Rochester, N.Y. 14624
USA

Tel.: +1 585 426-0990
Fax: +1 585 426-4025

E-Mail: mail@jescoamerica.com
Internet: www.jescoamerica.com

East Asia
**Lutz-Jesco
East Asia Sdn Bhd**
18, Jalan TPJ 9
Taman Perindustrian Jaya
47200 Petaling Jaya
Malaysia

Tel.: +603 7845 4812
Fax: +603 7845 8413
E-Mail: info@lutz-jescoasia.com

Middle East
Lutz-Jesco GmbH
Office L1-43
P.O. Box 9614
SAIF-Free Zone Center
Sharjah
UAE

Tel.: +971 6 5572205
Fax: +971 6 5572230
E-Mail: kudchikar@jesco.de